



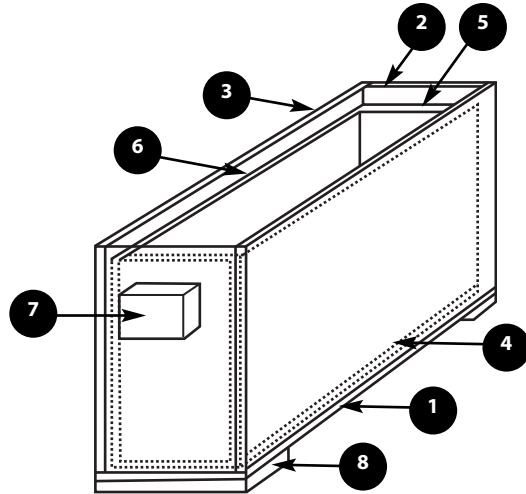
Technical Bulletin

Working together for better business

Packaging Insulating Glass Units

In order to maintain a reasonable box weight (maximum 90lb or 40kg) and provide protection to the units during shipping, observe the following guidelines:

1. Use 2" wood screws (Phillips head) for assembly of the box.
2. Center the handle (item 7) as shown.
3. When soft or sticky sealants like hot melt butyl are used, apply silicone release paper along inside surfaces of box where unit edges will touch.
4. Per box maximums:
 7 — ½" double glazing units
 5 — ¼" or ½" triple units
5. Package units resting on their longest edge side by side.
6. Fill extra box space with packing material such as styrofoam or cardboard.



Shipping Box Legend

Item	Qty	Dimensions	Material	Item	Qty	Dimensions	Material
1	2	11½" x 24"	½" plywood	5	2	8" x 14"	1" extruded styrofoam
2	2	10" x 16"	½" plywood	6	2	14" x 22½"	1" extruded styrofoam
3	2	16" x 24"	½" plywood	7	2	5" long	2" x 4" spruce
4	2	10" x 22½"	1" extruded styrofoam	8	2	4" x 11½"	½" plywood

The above dimensions are for packaging IG units of 14" x 20" size. Make necessary adjustments to the box if shipping different sized units.

Packaging Considerations

- Make sure box is stable enough to bear the weight of the units.
- Place styrofoam along the bottom and sides of the empty wooden box.
- Stack all units on edge, parallel to each other.
- Place separator material such as cardboard between units. Make sure it is the same size as the units so the glass is completely cushioned.
- Place styrofoam on the top before closing the box.
- Check that box label matches the box content (unit labels).
- Use wood screws to fasten the top of the box.
- Never use a box with broken or inferior quality wood.
- Do not exceed weight limit of the box.
- Do not use "dots" to separate the units in the box.
- If banding the box, do not overtighten.

*Portions of this bulletin were taken from the IGMAC Technical Bulletin.