

G u n n i n g T a b l e

Equipment solutions

The Edgetech Gunning Table is designed to meet your specific glass shop needs including:

- Adjustable support arms
- Rotating top can be locked in any position for sealant gunning
- Center mounted vacuum cup secures glass in position
- Integral rotary bearing and brake unit allows for smooth operation and positive positioning
- Foot pedal controls for hands-free operation
- Non-stick support arm wheels
- Aluminum extruded frame construction
- Leveling feet for easy height adjustment

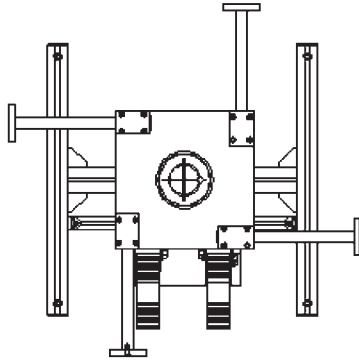


 **Edgetech**

BETWEEN YOU AND THE ELEMENTS.

G u n n i n g T a b l e

Equipment solutions



Gunning Table Features

Integral rotary bearing and brake unit
Extruded Aluminum construction
Adjustable support rods

Service Requirements

Electrical: None
Air: 100 PSI

