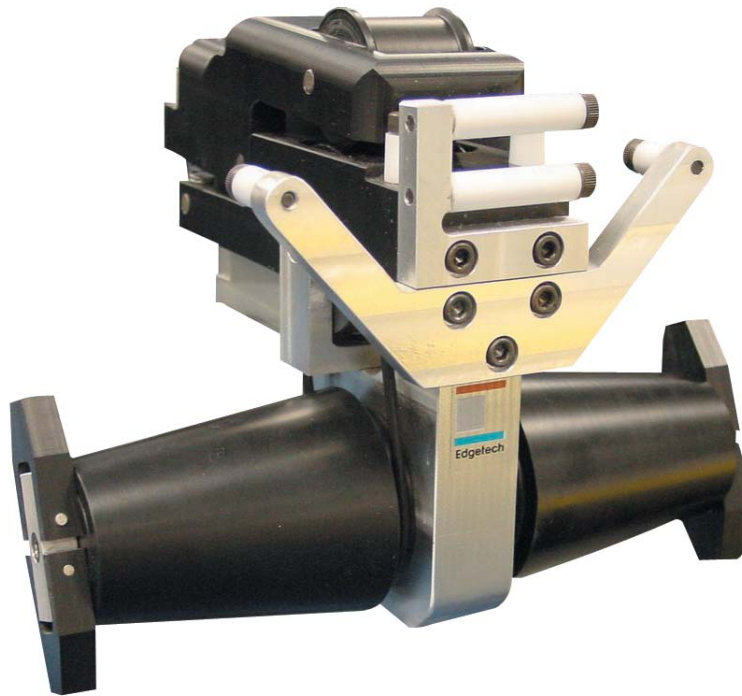


L i n e r S t r i p p e r

Equipment solutions

The Edgetech Liner Stripper is designed to meet your specific glass shop needs including:

- Unique dual split cone design for positive liner removal
- Aluminum and Delrin construction for durability
- No adjustment necessary for spacer changes
- Ball bearing cones reduce pulling resistance
- Mechanical drive system eliminates the need for compressed air
- Quick and easy liner removal
- Easily replaceable drive belts
- Lower maintenance

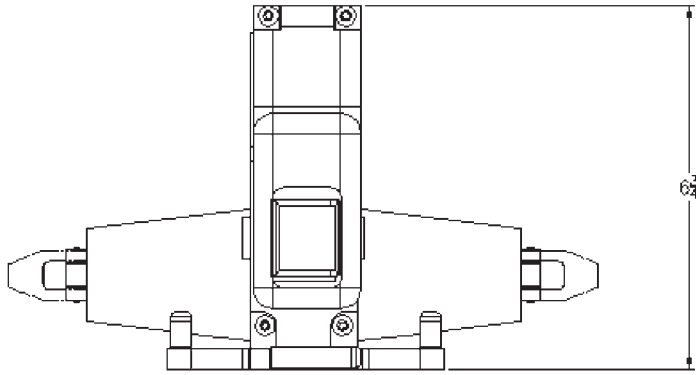


 **Edgetech**

BETWEEN YOU AND THE ELEMENTS.

L i n e r S t r i p p e r

Equipment solutions



Liner Stripper Features

Aluminum and Delrin construction
Ball bearing cones
Belt drive

Service Requirements

Electrical: None
Air: None

